

# CLUMP



## Stationary



Metal

### DESIGN FEATURES

- Each nozzle in the stationary manifold is a BETE clog-resistant full cone nozzle of the MaxiPass® series
- Can be supplied with various other BETE nozzles for any desired application
- Female connection

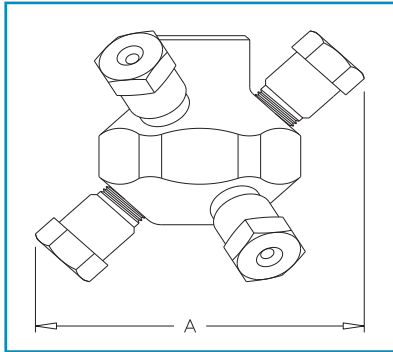
### SPRAY CHARACTERISTICS

- Spherical omnidirectional coverage
- Six nozzles arranged in cluster to project spray in all directions

**Spray Angles:** 360°

**Flow Rates:** 28 to 290 l/min

- For special flow rates contact BETE



### DIMENSIONS IN MILLIMETERS

Pipe Size	Overall Diameter A	Weight (kg)	
		Metal	Plastic
3/4"	120	1.3	0.2
1"	146	2.3	0.4

## CLUMP FLOW RATES

Materials: 316 Stainless Steel and Brass.

Female Connection Type	Nozzle Number	Spray Angles	K Factor	Flow Rate (L/min) @ Differential Pressure (bar)						Scrubbing Dia	Rinsing Dia
				0.7	1	2	3	4	5		
				bar	bar	bar	bar	bar	bar		
3/4" FNPT/BSP	CLUMP-125	360°	33.2	28.1	33.2	46.0	55.6	63.7	70.8	1	2
	CLUMP-156		52.7	44.6	52.7	73.2	88.2	101	112	1	4
	CLUMP-187		76.2	65.7	76.2	106	128	146	163	2	4
1" FNPT/BSP	CLUMP-187	360°	76.2	65.7	76.2	106	128	146	163	2	4
	CLUMP-218		121	103	121	168	203	232	258	2	4
	CLUMP-250		136	115	136	188	228	261	290	3	5

Flow Rate (GPM) =  $K \cdot \sqrt{PSI}$

Spray angle performance varies with pressure. Contact BETE for specific data on critical applications.

For special flow rates contact BETE.

Other materials available on request.